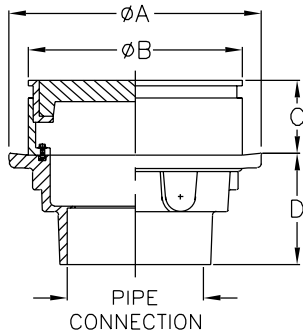


JONESPEC® FLOOR DRAINS



HEAVY-DUTY ADJUSTABLE FLOOR DRAIN

- Recommended for heavy vehicles or industrial applications.
- Consists of a PVC or ABS body with steel-threaded inserts.
- Complete with a cast iron clamp collar, leveling frame and heavy-duty grate.

Body Type	Model Number	Dimensions in Inches [mm]				Box Qty.	
		Pipe Conn.	A	B	C		D
PVC	FD-2330-PV2	2" [51]	9" [229]	8" [203]	2" [51] Min. 2-3/4" [70] Max.	2-31/32" [76]	1
	FD-2330-PV3	3" [76]	9" [229]	8" [203]	2" [51] Min. 2-3/4" [70] Max.	3-11/16" [94]	1
	FD-2330-PV4	4" [102]	9" [229]	8" [203]	2" [51] Min. 2-3/4" [70] Max.	3-13/16" [97]	1
ABS	FD-2330-AB2	2" [51]	9" [229]	8" [203]	2" [51] Min. 2-3/4" [70] Max.	2-31/32" [76]	1
	FD-2330-AB3	3" [76]	9" [229]	8" [203]	2" [51] Min. 2-3/4" [70] Max.	3-11/16" [94]	1
	FD-2330-AB4	4" [102]	9" [229]	8" [203]	2" [51] Min. 2-3/4" [70] Max.	3-13/16" [97]	1

Options

Suffix	Description
-P	1/2" [13] Trap Primer Connection
-Y	Sediment Bucket