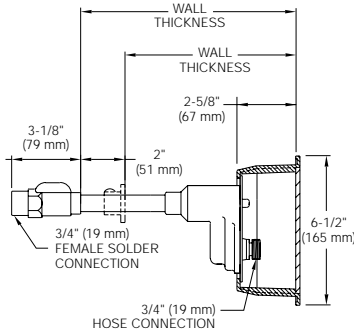


ENCASED WALL HYDRANT

- Encased, self-draining, non-freeze wall hydrant with vandal-resistant integral vacuum breaker with a chrome-plated rough bronze box, is designed for commercial applications such as office buildings, apartment complexes, malls and shopping centers, schools, churches and industrial buildings.



Model Number	Wall Thickness In. / [mm]	Overall Length In. / [mm]	Approx. Weight Lbs. / [kg]	Inlet Connections In. / [mm]
HY-2805-06	6" [152]	9-1/8" [232]	5 [2]	3/4" [19] Female Solder
HY-2805-08	8" [203]	11-1/8" [283]	5 [2]	3/4" [19] Female Solder
HY-2805-10	10" [254]	13-1/8" [333]	6 [3]	3/4" [19] Female Solder
HY-2805-12	12" [305]	15-1/8" [384]	6 [3]	3/4" [19] Female Solder
HY-2805-14	14" [356]	17-1/8" [435]	6 [3]	3/4" [19] Female Solder
HY-2805-18	18" [457]	21-1/8" [543]	7 [3]	3/4" [19] Female Solder
HY-2805-24	24" [610]	27-1/8" [689]	8 [4]	3/4" [19] Female Solder

Options

Suffix	Description
-CL	Cylinder Lock
-EP	3/4" [19 mm] IP 90° Inlet Elbow
-RK	Hydrant Parts Repair Kit
-WC	Wall Clamp

