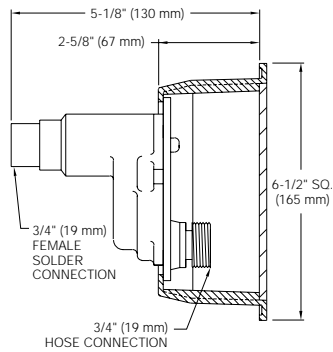




MODERATE CLIMATE ENCASED WALL HYDRANT

- Self-draining wall hydrant with vandal-resistant integral vacuum breaker with chrome-plated rough bronze box is designed for commercial applications in moderate climate areas.
- Ideal for office buildings, apartment complexes, malls and shopping centers, schools, churches and industrial buildings.

Model Number	Wall Thickness	Overall Length In. / [mm]	Approx. Weight Lbs. / [kg]	Inlet Connections In. / [mm]
HY-2815	N/A	5-1/4" [133]	6 [3]	3/4" [19] Female Solder



Options

Suffix	Description
-CL	Cylinder Lock
-EP	3/4" [19 mm] IP 90° Inlet Elbow with Union Nut
-RK	Hydrant Parts Repair Kit

