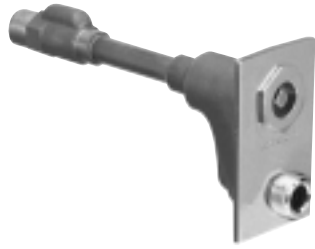


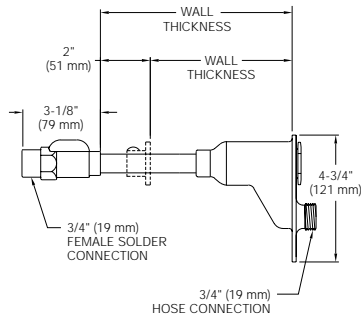
JONESPEC® HYDRANTS



WALL HYDRANT

- Non-freeze wall hydrant is designed for commercial applications such as office buildings, apartment complexes, malls and shopping centers, schools, churches and industrial buildings.

Model Number	Wall Thickness In. / [mm]	Overall Length In. / [mm]	Approx. Weight Lbs. / [kg]	Inlet Connections In. / [mm]
HY-2820-04	4" [102]	7-1/8" [181]	6 [3]	3/4" [19] Female Solder
HY-2820-06	6" [152]	9-1/8" [232]	6 [3]	3/4" [19] Female Solder
HY-2820-08	8" [203]	11-1/8" [283]	6 [3]	3/4" [19] Female Solder
HY-2820-10	10" [254]	13-1/8" [333]	8 [4]	3/4" [19] Female Solder
HY-2820-12	12" [305]	15-1/8" [384]	8 [4]	3/4" [19] Female Solder
HY-2820-14	14" [356]	17-1/8" [435]	8 [4]	3/4" [19] Female Solder
HY-2820-18	18" [457]	21-1/8" [543]	10 [5]	3/4" [19] Female Solder
HY-2820-24	24" [610]	27-1/8" [689]	12 [5]	3/4" [19] Female Solder



Options

Suffix	Description
-AN	Angled Nozzle
-EP	3/4" [19 mm] IP 90° Inlet Elbow with Union Nut
-RK	Hydrant Parts Repair Kit
-VB	External Vacuum Breaker
-WC	Wall Clamp