

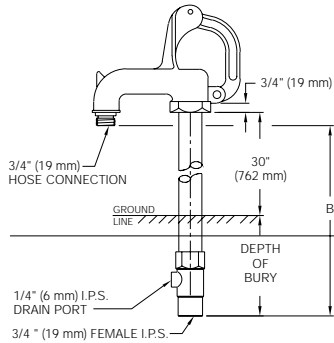
JONESPEC® HYDRANTS



YARD HYDRANT

- This non-freeze yard hydrant is designed for irrigational applications where immediate water flow, even in sub-zero degree temperatures, is necessary.

Model Number	Depth of Bury Ft. / [cm]	'B' Dimension Ft. / [cm]	Approx. Weight Lbs. / [kg]	Inlet Connections In. / [mm]
HY-2849-02	2' [61]	4-1/2" [137]	15 [7]	3/4" [19] Female I.P.S.
HY-2849-03	3' [91]	5-1/2" [168]	19 [9]	3/4" [19] Female I.P.S.
HY-2849-04	4' [122]	6-1/2" [198]	23 [10]	3/4" [19] Female I.P.S.
HY-2849-05	5' [152]	7-1/2" [229]	27 [12]	3/4" [19] Female I.P.S.
HY-2849-06	6' [183]	8-1/2" [259]	31 [14]	3/4" [19] Female I.P.S.
HY-2849-08	7' [213]	10-1/2" [320]	39 [18]	3/4" [19] Female I.P.S.



Options

Suffix	Description
-RK	Hydrant Parts Repair Kit
-VB	External Vacuum Breaker