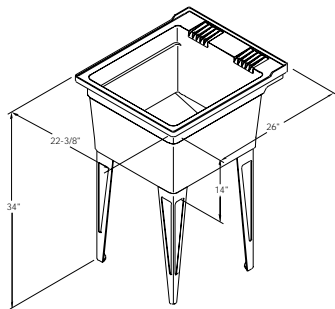




MS-2622



ECONOMY MULTI-PURPOSE SINK

- Single compartment, multi-purpose sink is manufactured from an innovative foam process.
- Polypropylene structural composite sink utilizes this unique molding process, producing seamless corners and edges.
- Available individually boxed, six-packed, or skid quantities of 24.

Model Number	Description
MS-2622	Floor Mounted Multi-Purpose Sink

Options

Suffix	Description
-AP	Accessory Package
-DF1	Dual Handle Deck Faucet
-DF2	Single Lever Deck Faucet
-FA	Top Supplied Faucet Adaptor
-FP	Filler Panel
-PL	Polyethylene Legs
-TS	Top Supplied Faucet